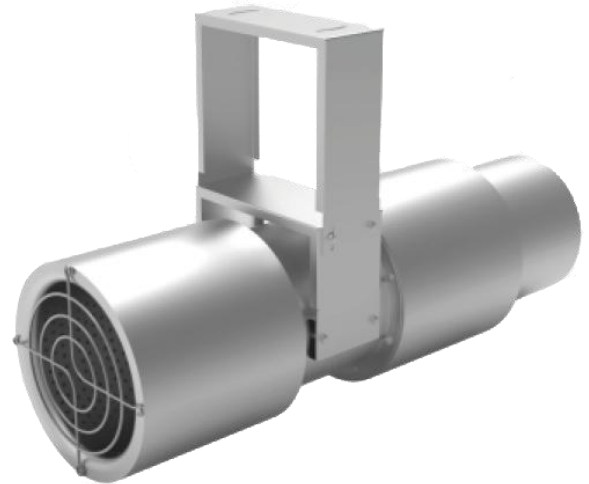


Ratings and Applications

Airflow Range	2080 ~ 5,000 m ³ /h (1,224 ~ 2,941 CFM)
Thrust Range	10 ~ 28 N
Outlet Velocity	13 ~ 17 m/s
Distance	37 ~ 55 m
Drive Types	Direct Drive
Applications	<ol style="list-style-type: none">1. Underground car parks2. Underground entertainment venues3. Large areas with certain parts polluted4. Intelligent inducing ventilation that features region linkage.



General Features

Designed according to the principles of aerodynamics, positive inducing fans induce and disturb surrounding Air through the high velocity discharge produced and then guide the air in specified directions.

The central Discharge velocity gradually comes down with the increasing distance away from the outlet nozzle, but the Discharge area expands so that more air can be induced. By diluting indoor harmful gases and circulating air at the same time, positive inducing fans can gather these gases and bring them along the predefined flow Passage quickly to the exhaust fan, thus making the air well ventilated in the underground car parks also it has the following features:

- Greater efficiency and long discharge distance.
- Silencers fitted at both inlet and outlet for extremely low sound level.
- Aesthetically pleasing, small-size, light-weight and space-saving.
- Easy installation with mounting brackets supplied and mounting angles adjustable.
- Air inlet mounted with safety guard to ensure safe working conditions.

Technical Information

1. Quality Standards

The fan has designed according to AMCA design procedure, the products are produced within very control procedure following ISO 9001, ISO14001 and ISO 45001.

2. Fan Type

The fan shall be direct driven axial type. Tube silencer shall be mounted at both the inlet and outlet connected by high strength bolts. There shall be a steel safety guard at the inlet for safe operation.

3. Surface Processing

The fan housing shall be finished with electrostatic powder coatings. The finished gloss level shall be greater than or equal to 70% and the surface shall be a level one without sags, cracks, cockles or detachment.

4. Nameplate

A permanently fixed aluminum nameplate shall clearly display the fan number, product model and serial number (A unique ID for each fan) so that the parts used can be traceable by customers

5. Main Fan parts

Fan Part	Description
Impeller	The Impeller shall be an aluminum axial type and should be subject to static and dynamic balancing tests up to AMCA 204-G2.5 quality grade.
Fan Stack	The fan stack shall be formed in quality steel sheet through the processes of rolling, continuous welding, spinning and flanging. Brackets for both the fan stack and motor shall be wholly welded to be strong enough to withstand the dynamic load generated.
Silencer	Silencers shall be a two-layer cylinder structure. The inner layer is perforated sheet and the outer layer is quality steel sheet which is rolled and welded. Sound absorptive cotton panels shall be placed in between and they shall be flame retardant, insect-free and damp-proof.
Motor	The motor shall be carefully matched to the fan load. It shall be (IP55,IP56, ...etc) rated with Class F,H Insulation according to project specification, The motor bearing shall be of ball type and lubrication- free. The leading wire shall be connected to the junction box for convenient wiring.
Nozzle	The nozzle shall be of tapered shape, high strength and low weight. It shall be formed by rolling and welding with aluminum alloys.