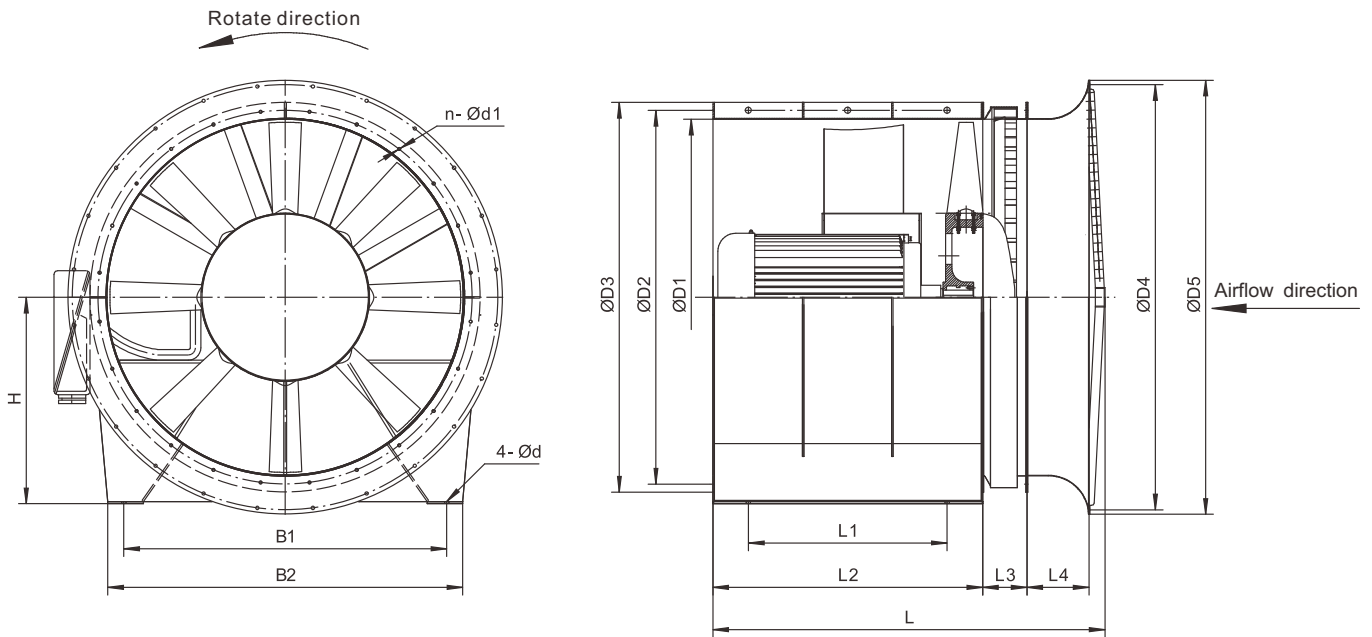


YFMRT- Metro Fan-Vane Axial Type

Fan Dimensions

Ground Mount installation



YFMRT Axial Fan Installation Dimension (Horizontal Mount)

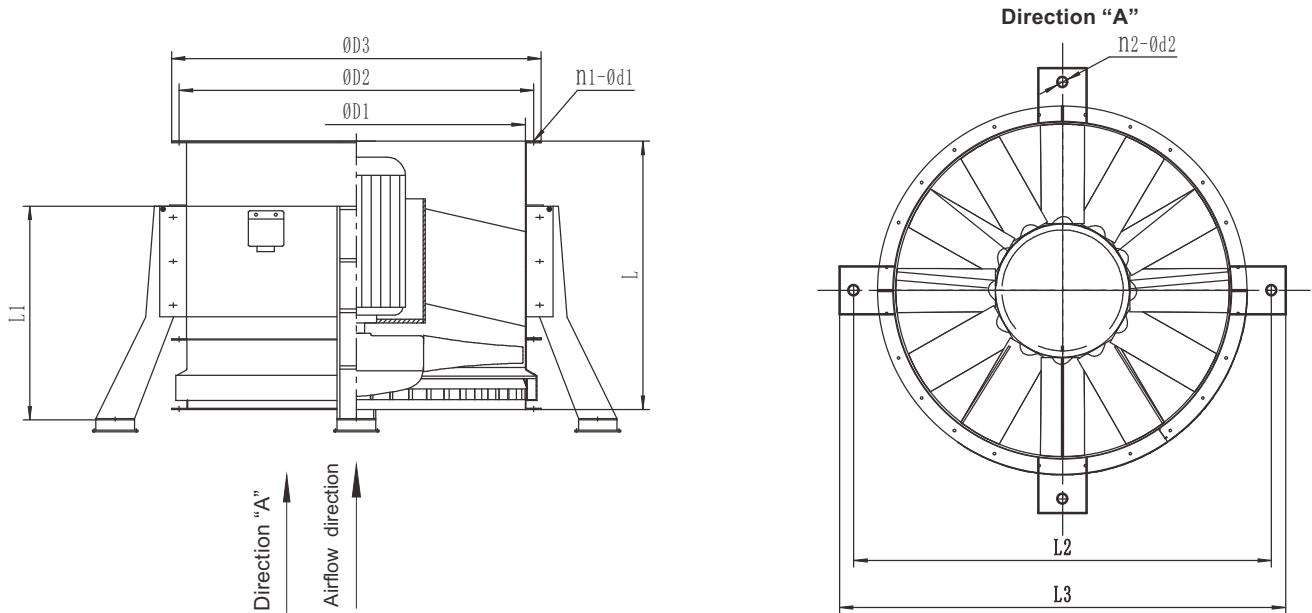
model	Dimension(mm)														
	D1	D2	D3	D4	D5	H	L1	L2	L3	L4	L	B1	B2	n-φd1	d
YFMRT-1500	1510	1580	1650	1800	1840	880	900	1100	250	165	1515	1160	1340	24-φ14	18
YFMRT-1600	1610	1700	1760	2010	2060	910	1000	1300	250	200	1750	1240	1420	24-φ14	18
YFMRT-1800	1810	1900	1970	2200	2250	1030	1050	1350	250	220	1820	1620	1800	24-φ14	18
YFMRT-2000	2012	2090	2160	2450	2500	1120	1120	1520	250	245	2015	1820	2000	24-φ14	18
YFMRT-2200	2214	2330	2414	2650	2700	1265	1150	1550	250	320	2120	1820	2000	24-φ14	18
YFMRT-2400	2416	2530	2610	2850	2900	1380	1340	1740	250	320	2310	2000	2260	24-φ14	18
YFMRT-2600	2616	2730	2810	3050	3100	1480	1640	1940	250	320	2510	2200	2460	36-φ18	18
YFMRT-2800	2820	3040	3010	3250	3300	1580	1840	2140	250	320	2710	2400	2680	36-φ18	18

Note: The maximum length of the fan is for reference only; actual length may vary according to the motor power.
Where φD4、φD5、L、L4 is the length after the airflow collector is added. It can be added as an accessory.

YFMRT -Metro Fan-Vane Axial Type

Fan Dimensions

Vertical Mount Installation



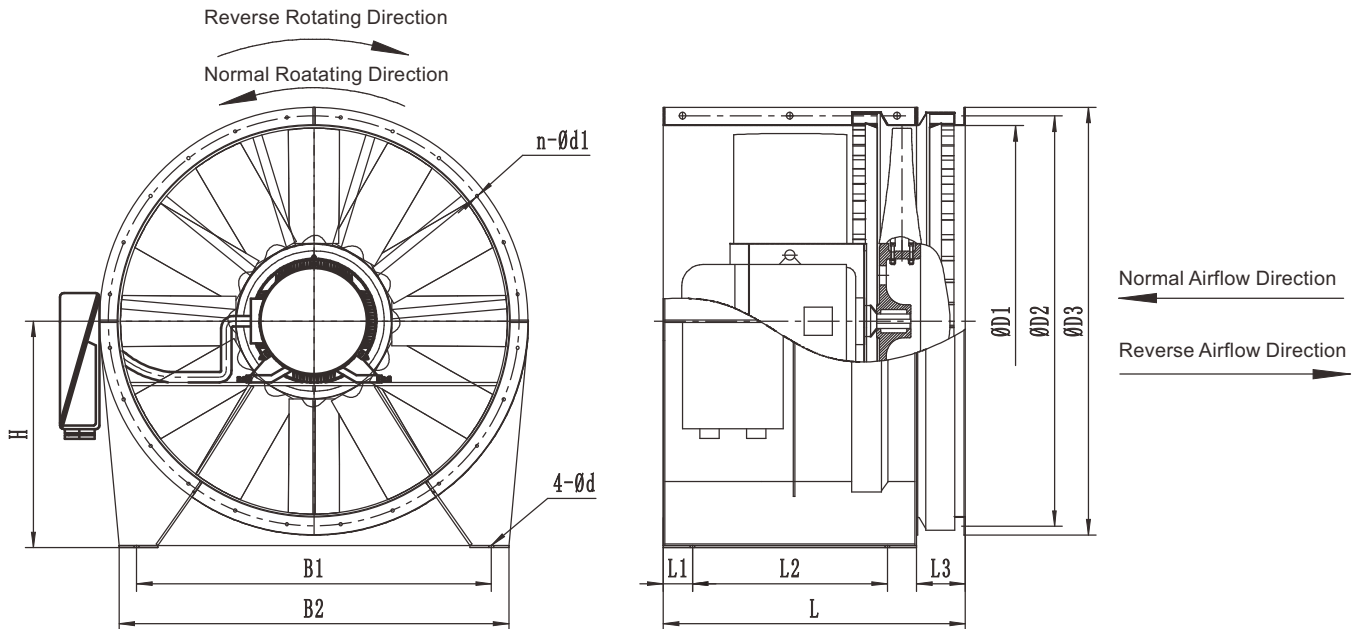
YFMRT Axial Fan Installation Dimension (Vertical Mount)

Model	Dimension(mm)								
	D1	D2	D3	L	L1	L2	L3	n1- φ d1	n2- φ d2
YFMRT-1500	1510	1580	1650	1350	770	1990	2140	24- φ 14	4- φ 14
YFMRT-1600	1610	1700	1760	1550	870	2160	2360	24- φ 14	4- φ 14
YFMRT-1800	1810	1900	1970	1600	1070	2460	2600	24- φ 14	4- φ 14
YFMRT-2000	2012	2090	2160	1770	1100	2700	2970	24- φ 14	4- φ 14
YFMRT-2200	2214	2330	2414	1800	1150	3080	3380	24- φ 14	4- φ 14
YFMRT-2400	2416	2530	2610	1990	1150	3280	3580	24- φ 14	4- φ 14
YFMRT-2600	2616	2730	2810	2190	1200	3480	3780	36- φ 18	6- φ 14
YFMRT-2800	2820	3040	3010	2390	1300	3680	3980	36- φ 18	6- φ 14

Note: The maximum length of the fan is for reference only; actual length may vary according to the motor power.

YFMRT(R) Reversible Axial Fan

YFMRT(R)



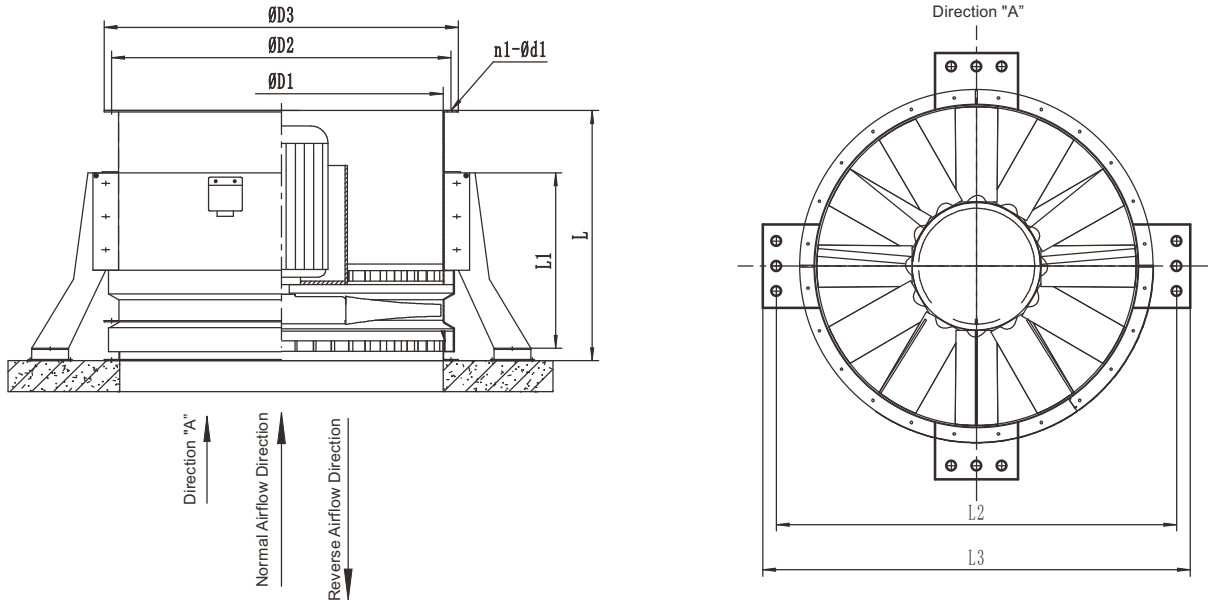
YFMRT(R) Axial Fan Installation Dimension (Horizontal Mount)

Model	Dimension(mm)											
	D1	D2	D3	H	L1	L2	L3	L	B1	B2	n-Ød1	d
YFMRT(R)-1250	1260	1330	1380	760	80	700	250	1110	1000	1140	20-Ø14	18
YFMRT(R)-1400	1410	1480	1550	825	80	740	250	1150	1080	1250	20-Ø14	18
YFMRT(R)-1500	1510	1580	1650	880	80	740	250	1150	1160	1340	24-Ø14	18
YFMRT(R)-1600	1610	1700	1760	910	80	800	250	1210	1240	1420	24-Ø14	18
YFMRT(R)-1800	1810	1900	1970	1030	80	840	250	1250	1620	1800	24-Ø14	18
YFMRT(R)-1900	1910	2030	2100	1100	80	900	250	1310	1740	1900	24-Ø14	18
YFMRT(R)-2000	2012	2090	2160	1120	100	960	250	1410	1820	2000	24-Ø14	18
YFMRT(R)-2100	2112	2240	2340	1215	100	980	250	1430	1920	2100	24-Ø14	18
YFMRT(R)-2200	2214	2330	2414	1265	100	1040	250	1490	2020	2200	24-Ø14	18
YFMRT(R)-2400	2416	2530	2610	1380	150	1130	250	1680	2220	2400	24-Ø14	18
YFMRT(R)-2500	2512	2630	2720	1420	150	1130	250	1680	2320	2500	36-Ø18	18
YFMRT(R)-2600	2616	2730	2810	1480	150	1380	250	1930	2420	2600	36-Ø18	18
YFMRT(R)-2800	2820	3040	3010	1580	150	1480	250	2030	2620	2800	36-Ø18	18

Note: The maximum length of the fan is for reference only; actual length may vary according to the motor power.

YFMRT(R) Reversible Axial Fan

YFMRT(R)



YFMRT(R) Axial Fan Installation Dimension (Vertical Mount)

Model	Dimension(mm)							
	D1	D2	D3	L	L1	L2	L3	n1-φd1
YFMRT(R)-1250	1260	1330	1380	1110	400	1600	1650	20-φ14
YFMRT(R)-1400	1410	1480	1550	1150	500	1800	1860	20-φ14
YFMRT(R)-1500	1510	1580	1650	1150	500	1900	1960	24-φ14
YFMRT(R)-1600	1610	1700	1760	1210	600	2000	2070	24-φ14
YFMRT(R)-1800	1810	1900	1970	1250	700	2200	2270	24-φ14
YFMRT(R)-1900	1910	2030	2100	1310	700	2300	2370	24-φ14
YFMRT(R)-2000	2012	2090	2160	1410	750	2400	2480	24-φ14
YFMRT(R)-2100	2112	2240	2340	1430	750	2500	2580	24-φ14
YFMRT(R)-2200	2214	2330	2414	1490	800	2700	2780	24-φ14
YFMRT(R)-2400	2416	2530	2610	1680	850	2900	2980	24-φ14
YFMRT(R)-2500	2512	2630	2720	1680	850	3000	3080	36-φ18
YFMRT(R)-2600	2616	2730	2810	1930	900	3200	3280	36-φ18
YFMRT(R)-2800	2820	3040	3010	2030	950	3400	3480	36-φ18

Note: The maximum length of the fan is for reference only; actual length may vary according to the motor power.