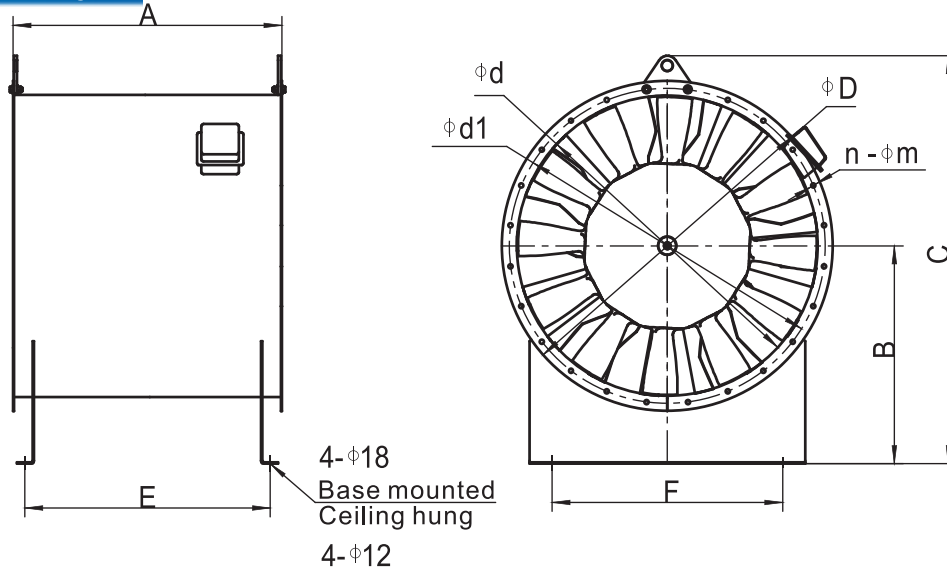


## Fan Dimensions

Model : YFIAM315-1400

## General & Smoke Type



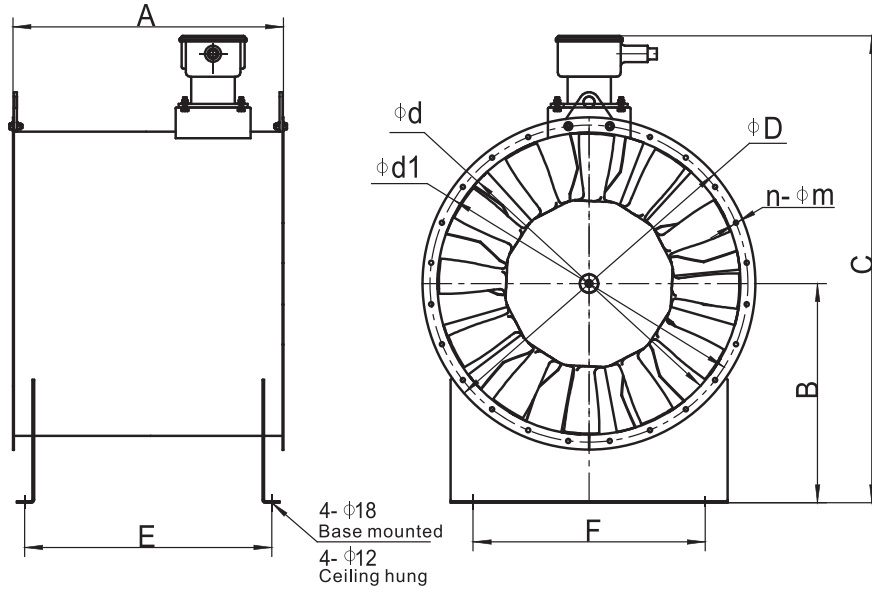
Model	Frame Size	A	B	C	$\phi$ D	$\phi$ d1	$\phi$ d	E	F	n- $\phi$ m	Weight (kg)
YFIAM-315-GT/SR	-	320	210	405	390	356	320	278	220	8- $\phi$ 10	11
YFIAM-355-GT/SR	-	350	240	455	430	396	360	301	240	8- $\phi$ 10	14
YFIAM-400-GT/SR	-	420	270	515	485	449	405	371	280	8- $\phi$ 12	18
YFIAM-450-GT/SR	-	450	310	580	535	499	455	401	325	8- $\phi$ 12	22
YFIAM-500-GT/SR	-	500	340	635	585	549	505	441	350	8- $\phi$ 12	32
YFIAM-560-GT/SR	-	500	370	695	645	609	565	441	400	8- $\phi$ 12	40
YFIAM-630-GT/SR	71~90	480	400	820	716	679	636	421	470	12- $\phi$ 12	45
	100~132	580						521			49
YFIAM-710-GT/SR	80~112	550	445	910	796	759	716	491	520	12- $\phi$ 12	62
	132~160	720						661			69
YFIAM-800-GT/SR	90~132	670	500	1015	887	849	807	608	600	12- $\phi$ 12	84
	160~180	830						768			91
YFIAM-900-GT/SR	100~132	700	550	1115	988	954	908	638	680	16- $\phi$ 14	104
	160~225	940						878			118
YFIAM-1000-GT/SR	100~132	720	600	1215	1089	1054	1009	658	730	16- $\phi$ 14	126
	160~225	1000						938			142
YFIAM-1120-GT/SR	132~180	960	680	1360	1230	1182	1130	895	790	16- $\phi$ 14	194
	200~280	1220						1155			217
YFIAM-1250-GT/SR	160~225	1070	745	1490	1361	1312	1261	1005	900	20- $\phi$ 14	248
	250~280	1250						1185			259
YFIAM-1400-GT/SR	160~225	1100	820	1645	1512	1462	1412	1035	1030	20- $\phi$ 14	308
	250~280	1290						1225			322

Note:

- All the dimensional data are for reference only, subject to the final drawing.
- Motor is not included in the weight data above. Please refer power and weight of motor to the attached list.
- Motor frame sizes are subject to change according to motor brand and design, please consult the nearest seller to you to confirm all details
- Final unit details with design and specifications are subject to final approved documents by customer, catalogue isn't a reference

**Explosion Proof Type**

Model : YFIAM315-1400



Model	Frame Size	A	B	C	φD	φd1	φd	E	F	n-φm	Weight (kg)
YFIAM-315-EX	-	320	210	405	390	356	320	278	220	8-φ10	11
YFIAM-355-EX	-	350	240	455	430	396	360	301	240	8-φ10	14
YFIAM-400-EX	-	420	270	515	485	449	405	371	280	8-φ12	18
YFIAM-450-EX	-	450	310	580	535	499	455	401	325	8-φ12	22
YFIAM-500-EX	-	500	340	830	585	549	505	441	350	8-φ12	32
YFIAM-560-EX	-	500	370	905	645	609	565	441	400	8-φ12	40
YFIAM-630-EX	80~90	480	400	970	716	679	636	421	470	12-φ12	45
	100~132	580						521			49
YFIAM-710-EX	80~112	550	445	1070	796	759	716	491	520	12-φ12	62
	132~160	720						661			69
YFIAM-800-EX	90~132	670	500	1175	887	849	807	608	600	12-φ12	84
	160~180	830						768			91
YFIAM-900-EX	100~132	700	550	1305	988	954	908	638	680	16-φ14	104
	160~225	940						878			118
YFIAM-1000-EX	100~132	720	600	1405	1089	1054	1009	658	730	16-φ14	126
	160~225	1000						938			142
YFIAM-1120-EX	132~180	960	680	1580	1230	1182	1130	895	790	16-φ14	194
	200~280	1220						1155			217
YFIAM-1250-EX	160~225	1070	745	1710	1361	1312	1261	1005	900	20-φ14	248
	250~280	1250						1185			259
YFIAM-1400-EX	160~225	1100	820	1865	1512	1462	1412	1035	1030	20-φ14	308
	250~280	1290						1225			322

**Note:**

- All the dimensional data are for reference only, subject to the final drawing.
- Motor is not included in the weight data above. Please refer power and weight of motor to the attached list.
- Motor frame sizes are subject to change according to motor brand and design, please consult the nearest seller to you to confirm all details
- Final unit details, design and specifications are subjected to change from Catalogue, the reference is the documents approved by customer