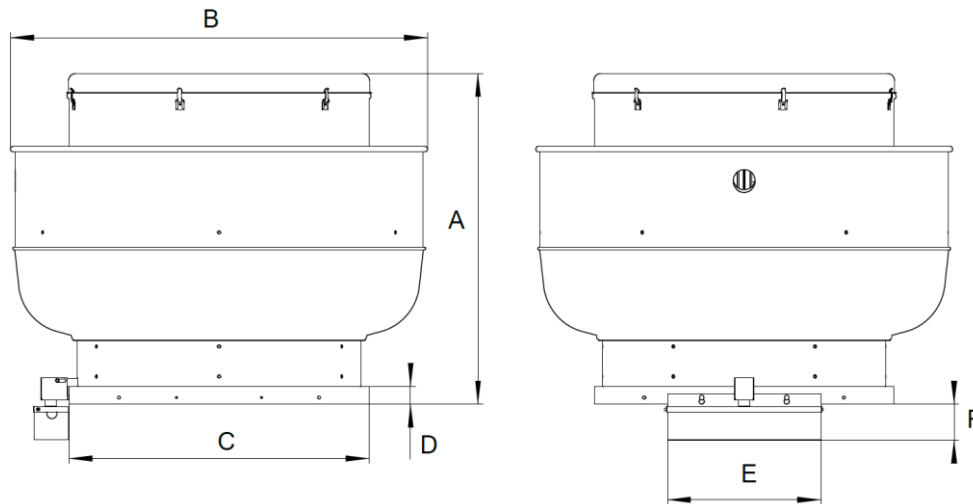


## Fan Dimensions (Belt Drive)

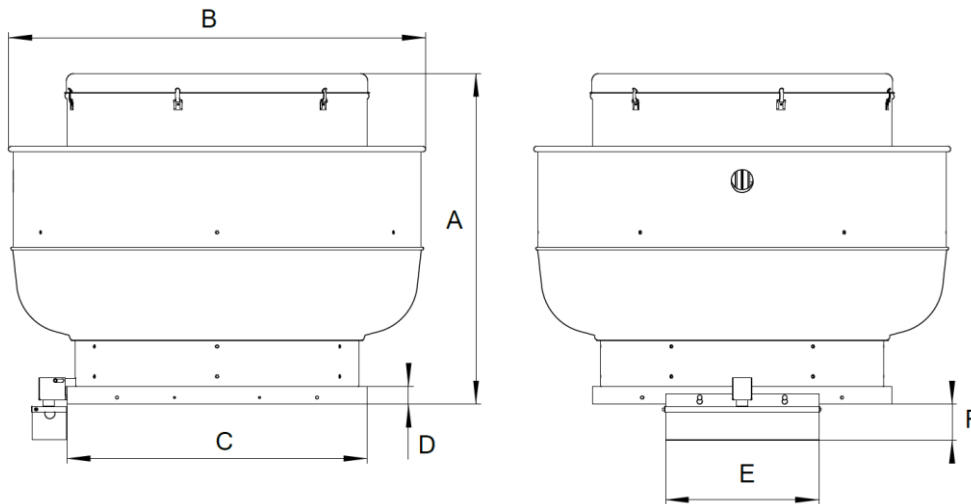


Fan Size	A	B	C	D	E	F	Weight (Kg)
RUC-300	591 (Max)	609	500 × 500	50	460	113	33
RUC-425	745 (Max)	780	600 × 600	50	460	113	41
RUC-500	856 (Max)	884	750 × 750	70	460	98	55
RUC-575	882 (Max)	968	750 × 750	70	460	98	66
RUC-675	940 (Max)	1108	900 × 900	53	460	108	71
RUC-750	1056 (Max)	1251	900 × 900	53	460	108	105
RUC-900	1206 (Max)	1488	1100 × 1100	70	460	108	194
RUC-1000	1330 (Max)	1572	1200 × 1200	70	460	108	225

### Notes

- ❖ All dimensions in mm.
- ❖ All dimensional data are for reference only, subject to the final drawing.
- ❖ Final Unit details with design and specification are subject to final approved documents by customer, Catalogue isn't a reference.
- ❖ The fan weight above does not include motor weight.

## Fan Dimensions (Direct Drive)



Fan Size	A	B	C	D	E	F	Weight (Kg)
RUC-300	561 (Max)	609	500 × 500	50	460	113	23
RUC-425	675 (Max)	780	600 × 600	50	460	113	36
RUC-500	768 (Max)	884	750 × 750	70	460	98	43
RUC-575	817 (Max)	968	750 × 750	70	460	98	52
RUC-675	904 (Max)	1108	900 × 900	53	460	108	66
RUC-750	992 (Max)	1251	900 × 900	53	460	108	75
RUC-900	1206 (Max)	1488	1100 × 1100	70	460	108	124
RUC-1000	1255 (Max)	1572	1200 × 1200	70	460	108	146

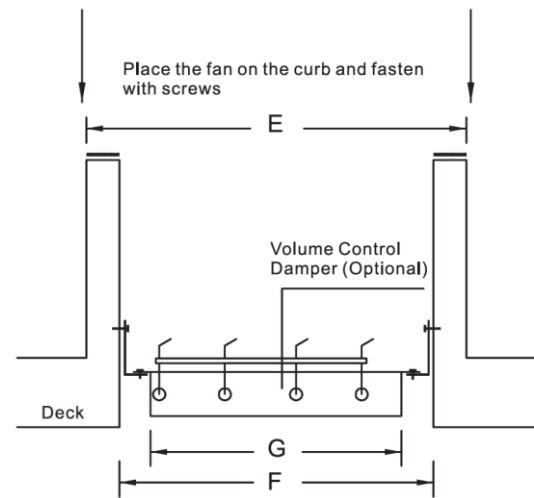
### Notes

- ❖ All dimensions in mm.
- ❖ All dimensional data are for reference only, subject to the final drawing.
- ❖ Final Unit details with design and specification are subject to final approved documents by customer, Catalogue isn't a reference.
- ❖ The fan weight above does not include motor weight.

The height of the roof curb (H) is generally identified by the Design engineer. A 300 mm to 500 mm range is recommended and can be chosen within the range based on the amount of local Rainfall.

The vibration isolation pad and angle steel used for the gravity backdraft damper are generally provided by the installer and not included in the package provided by manufacture.

The vibration isolation pad shall be thick enough to carry the fan weight, It's thickness is generally between 5 and 8 mm.



Fan Size	Outer Edge of Curb (E)	Roof Opening (F)	Gravity Backdraft Damper (G)	Fire Damper
RUC-300	490	370	300 × 300	420 × 420
RUC-425	590	470	400 × 400	520 × 520
RUC-500	740	620	550 × 550	670 × 670
RUC-575	740	620	550 × 550	670 × 670
RUC-675	890	730	650 × 650	780 × 780
RUC-750	890	730	650 × 650	780 × 780
RUC-900	1090	930	800 × 800	980 × 980
RUC-1000	1190	1030	900 × 900	1080 × 1080

**Notes**

- ❖ All dimensions in mm.
- ❖ All dimensional data are for reference only, subject to the final drawing.
- ❖ Final Unit details with design and specification are subject to final approved documents by customer, Catalogue isn't a reference.