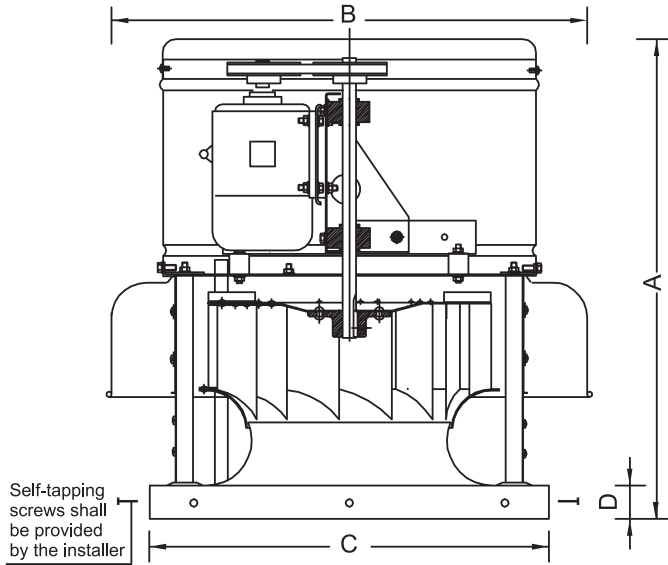


Fan Dimensions



The height of the curb (H) is generally identified by the design engineer. A 300 mm-500 mm range is recommended and can be chosen within the range based on the amount of local rainfall.

The vibration isolation pad and angle steel used for the gravity backdraft damper are generally provided by the installer and not included in the package provided by the manufacture.

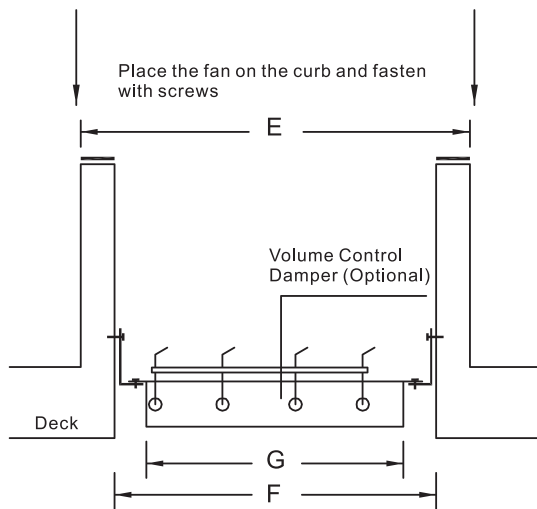
The vibration isolation pad shall be thick enough to carry the fan weight. Its thickness is generally between 5 and 8 mm.

The dimensions below apply to all types of RTC fans.

Model	A(mm)	B(mm)	C(mm)	D(mm)	Weight(kg)
RTC-300	600 _(max)	540	500	50	21
RTC-425	749 _(max)	726	600	50	30
RTC-500	862 _(max)	830	750	70	39
RTC-575	890 _(max)	940	750	70	46
RTC-675	995 _(max)	1100	900	53	67
RTC-750	1064 _(max)	1200	900	53	71
RTC-900	1215 _(max)	1438	1100	70	118
RTC-1000	1338 _(max)	1588	1200	70	141

The fan weight above does not include motor weight

Roof Curb & Opening Dimensions



The dimensions below apply to all types of RTC fans.

Model	Outer Edge of Curb E (mm)	Roof Opening F (mm)	Gravity Backdraft Damper G (mm)	Fire Damper (mm)
RTC-300	490	370	300x300	420x420
RTC-425	590	470	400x400	520x520
RTC-500	740	620	550x550	670x670
RTC-575	740	620	550x550	670x670
RTC-675	890	730	650x650	780x780
RTC-750	890	730	650x650	780x780
RTC-900	1090	930	800x800	980x980
RTC-1000	1190	1030	900x900	1080x1080