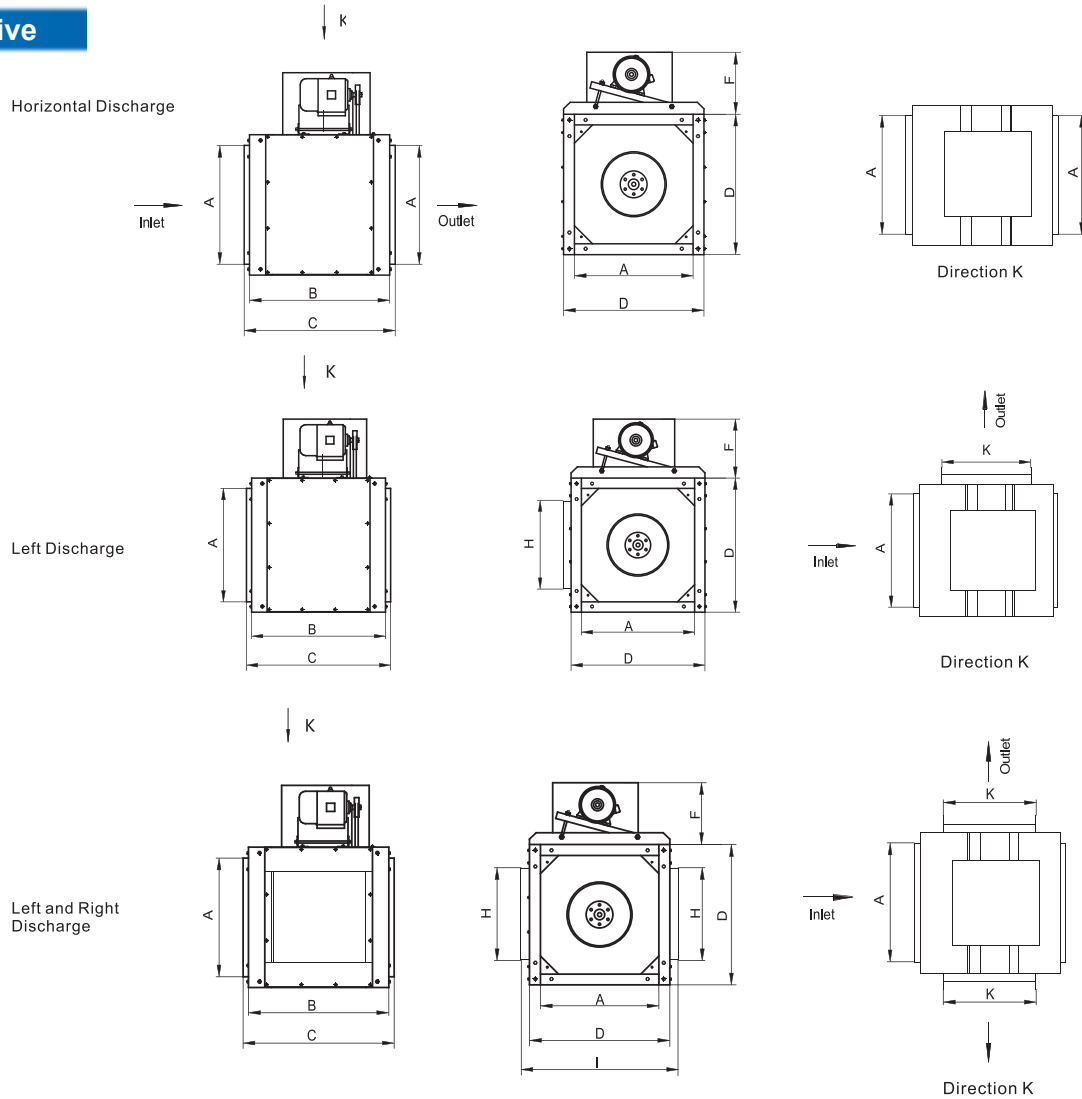


# ISQ - INILINE SQUARE CENTRIFUGAL FAN

## Fan Dimensions

### Belt-Drive

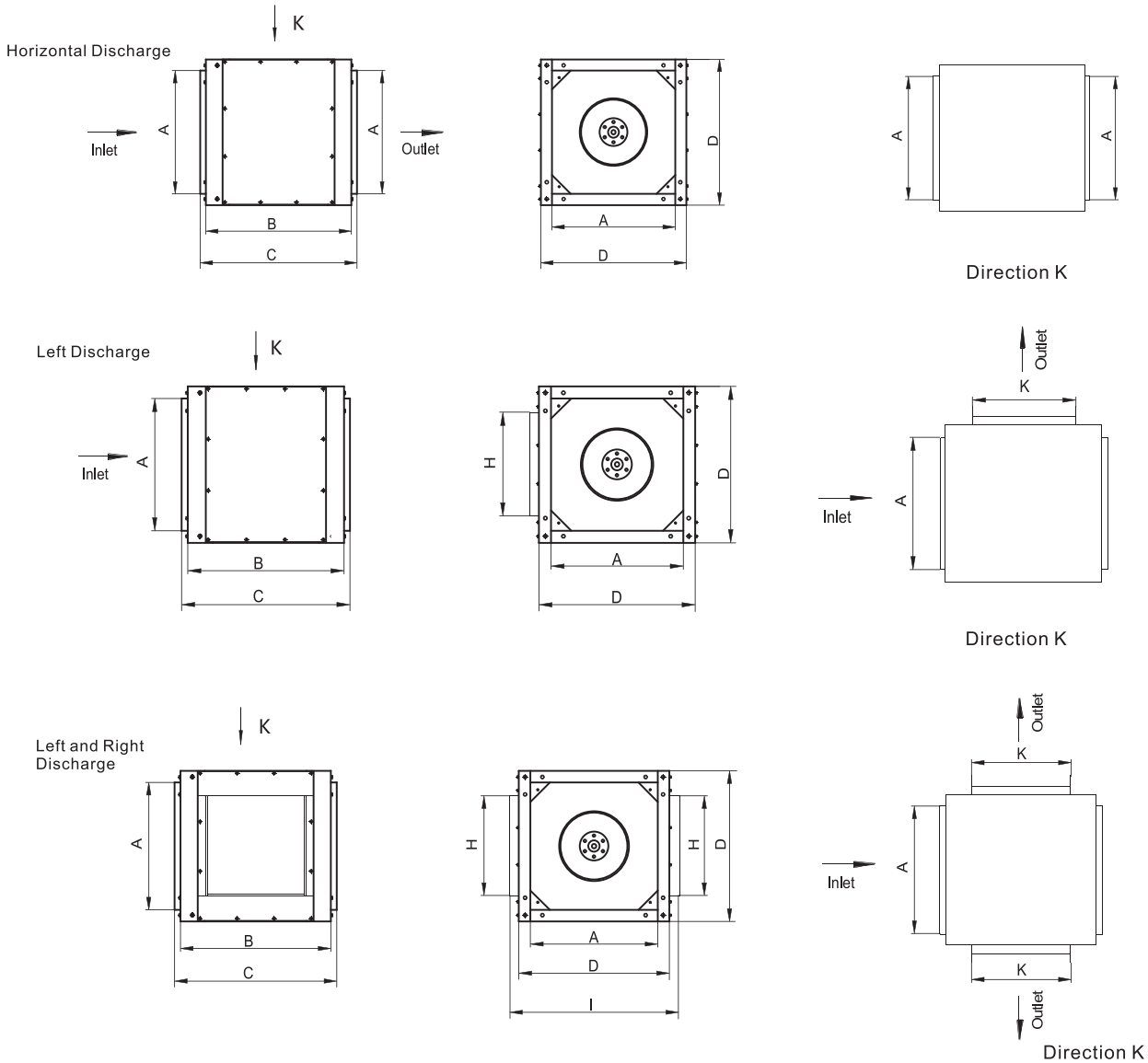


| :mm     | A    | B    |      | D    | F        | H   | K   | G    | I    | Weight |
|---------|------|------|------|------|----------|-----|-----|------|------|--------|
| ISQ300  | 403  | 500  |      | 470  | 530(max) | 325 | 325 | 495  | 520  | 37     |
| ISQ425  | 553  | 650  |      | 650  | 530(max) | 455 | 455 | 675  | 700  | 61     |
| ISQ500  | 654  | 780  |      | 750  | 530(max) | 505 | 505 | 775  |      | 89     |
| ISQ575  | 754  | 880  | 0    | 850  | 635(max) | 555 | 555 | 885  | 920  | 112    |
| ISQ675  | 904  | 950  | 020  | 1000 | 700(max) | 605 | 605 | 1035 | 1070 | 145    |
| ISQ750  | 1004 | 980  | 1050 | 1100 | 700(max) | 605 | 605 | 1135 | 1170 | 165    |
| ISQ900  | 1174 | 1070 | 1170 | 1270 | 700(max) | 705 | 705 | 1320 | 1370 | 225    |
| ISQ1000 | 1304 | 1175 | 1275 | 1400 | 700(max) | 805 | 805 | 1450 | 1500 | 261    |

- Motor is not included in the Weight above.
- The dimensions of Top Intake, Bottom Discharge/Bottom Intake and Top Discharge refer to **Dimensions of Horizontal Discharge**.
- The dimensions of Right Discharge /Top Discharge, Motor Location Left / Top Discharge, Motor Location Right / Bottom Discharge, Motor Location Left/ Bottom Discharge, Motor Location Right /Top Intake, Left Discharge / Top Intake, Right Discharge/ Bottom Intake, Right Discharge/ Bottom Intake, Left Discharge refer to **Dimensions of Left Discharge**.
- The dimensions of Top and Bottom Discharge, Motor Location Left / Top and Bottom Discharge, Motor Location Right / Top Intake, Left and Right Discharge/Bottom Intake, Left and Right Discharge refer to **Dimensions of Left and Right Discharge**.

# ISQ - INILINE SQUARE CENTRIFUGAL FAN

**Direct-Drive**



| Unit:mm  | A    | B    |      | D    | H   | K   | G    | I    | Weight |
|----------|------|------|------|------|-----|-----|------|------|--------|
| ISQ300D  | 403  | 580  |      | 470  | 325 | 405 | 495  | 520  | 32     |
| ISQ425D  | 553  | 710  |      | 650  | 455 | 515 | 675  | 700  | 55     |
| ISQ500D  | 654  | 780  |      | 750  | 505 | 505 | 775  | 800  | 75     |
| ISQ575D  | 754  | 880  | 0    | 850  | 555 | 555 | 885  | 920  | 101    |
| ISQ675D  | 904  | 950  | 020  | 1000 | 605 | 605 | 1035 | 1070 | 122    |
| ISQ750D  | 1004 | 1030 | 1100 | 1100 | 605 | 655 | 1135 | 1170 | 150    |
| ISQ900D  | 1174 | 1230 | 1330 | 1270 | 705 | 865 | 1320 | 1370 | 224    |
| ISQ1000D | 1304 | 1309 | 1409 | 1400 | 805 | 940 | 1450 | 1500 | 310    |

- Motor is not included in the Weight above.
- The dimensions of Top Intake, Bottom Discharge/Bottom Intake, Top Discharge refer to **Dimensions of Horizontal Discharge**.
- The dimensions of Right Discharge/ Top Discharge/ Bottom Discharge / Bottom Intake, Left Discharge/ Bottom Intake, Right Discharge/Top Intake, Left Discharge/Top Intake, Right Discharge refer to **Dimensions of Left Discharge**.
- The dimensions of Top Intake, Left and Right Discharge/ Bottom Intake, Left and Right Discharge refer to **Dimensions of Left and Right Discharge**