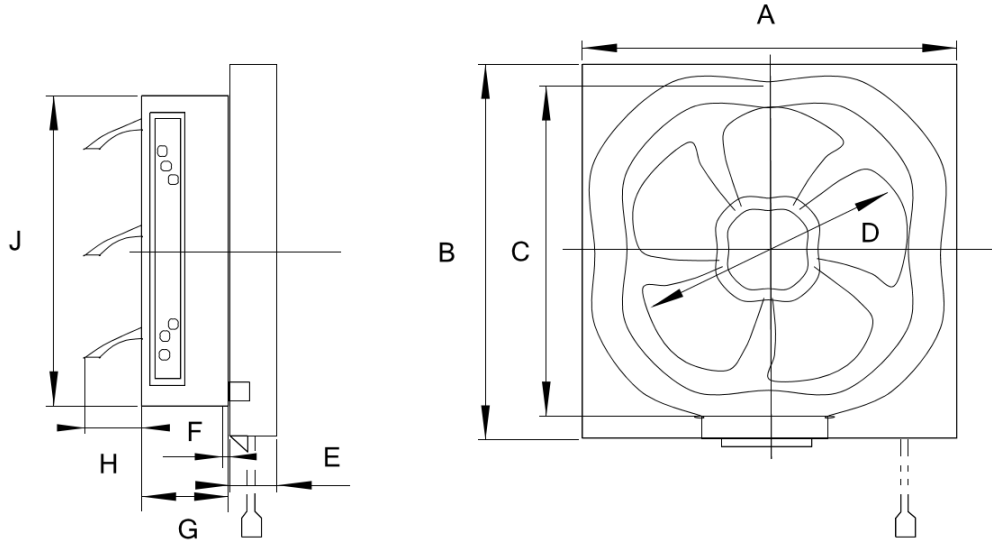


Fan Drawing without louver structure

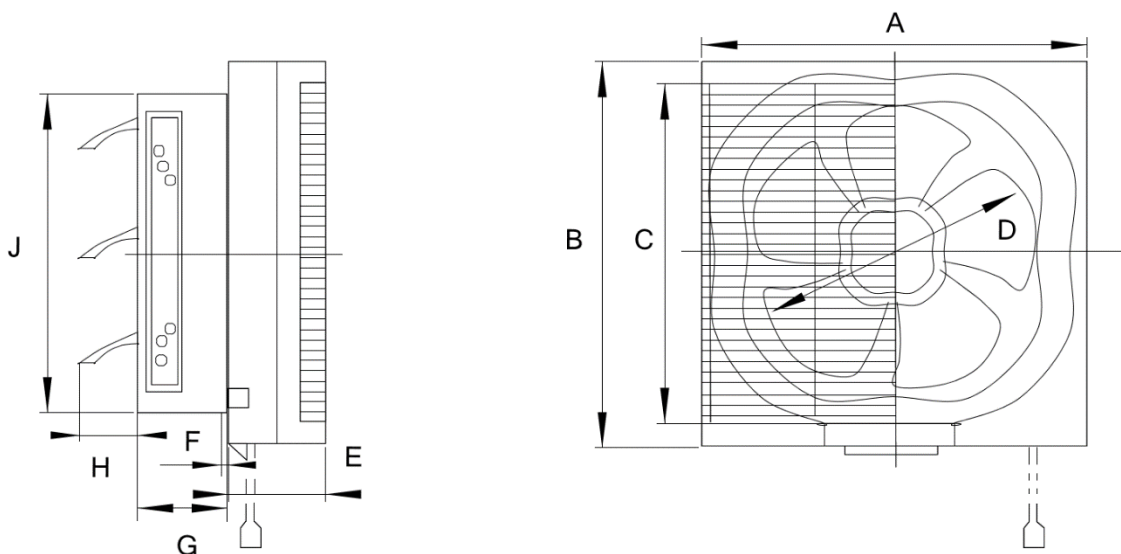


Fan Size	A	B	C	D	E	F	G	H	J	Wall Opening
ABP15-3-A	244	244	210	150	30	2	78	66	193	198 × 198
ABP20-4-A	294	294	260	200	30	2	67	84	243	248 × 248
ABP25-5-A	344	344	310	250	30	2	75	68	293	298 × 298
ABP30-6-A	401	401	360	300	30	2	82	82	343	348 × 348

Notes

- ❖ All dimensions in mm.
- ❖ All dimensional data are for reference only, subject to the final drawing.
- ❖ Final Unit details with design and specification are subject to final approved documents by customer, Catalogue isn't a reference.

Fan Drawing with lower structure



Fan Size	A	B	C	D	E	F	G	H	J	Wall Opening
ABP15-3-B	244	244	210	150	63	2	78	66	193	198 × 198
ABP20-4-B	294	294	260	200	62	2	67	84	243	248 × 248
ABP25-5-B	344	344	310	250	59	2	75	68	293	298 × 298
ABP30-6-B	401	401	360	300	58	2	82	82	343	348 × 348

Notes

- ❖ All dimensions in mm.
- ❖ All dimensional data are for reference only, subject to the final drawing.
- ❖ Final Unit details with design and specification are subject to final approved documents by customer, Catalogue isn't a reference.